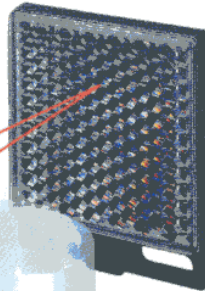




TFT, glass, PET bottle and any application to detect transparent objects.



Features

High stability of glass detection

PET bottles curved in particular way are possible to detect. Bottle material doesn't matter. CRT and TFT are also possible to detect.

High durability to ambient noise

Sick Optex is confident to Noise Resistance test against relay noise, inverter noise, electromagnetic, static, etc. In-house test (Failen Test) secures more than IEC standard.

Compact Size

Applicable to OEM use in a small size machine.

Rigid mechanics

100G standard, tough enough to mechanical shock and vibration.

Retro-reflection photoelectric sensor for transparent objects

SR-Q SERIES

(Cable)

SR-Q50NW NPN type

SR-Q50PW PNP type

(M8 Connector)

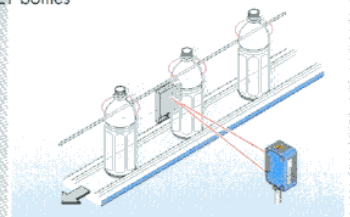
SR-Q50CNW NPN type

SR-Q50CPW PNP type

Applications

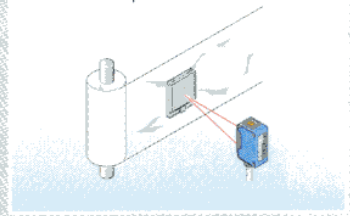
Beverage industry

Detecting PET bottles



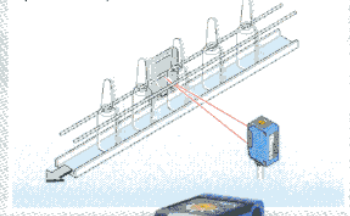
Packaging industry

Monitoring the ends of transparent films



Pharmaceutical industry

Counting transparent ampoules



World Standard

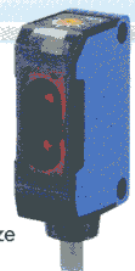
One product for the whole world



Optex-FA U.S. sales
Ramco Innovations
(800) 280-6933

www.optex-ramco.com

*Actual size

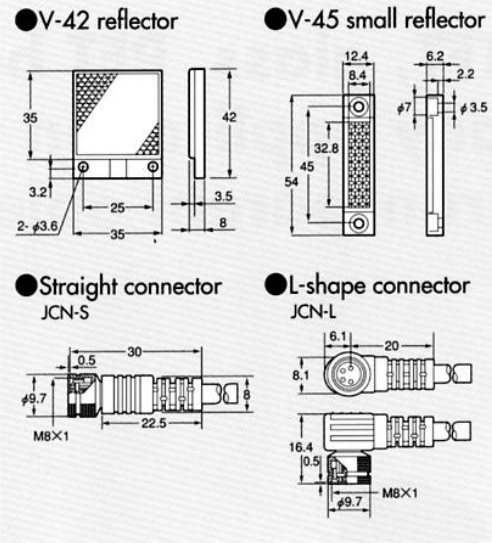


Specifications

* Specifications are subject to change without prior notice for improvement.

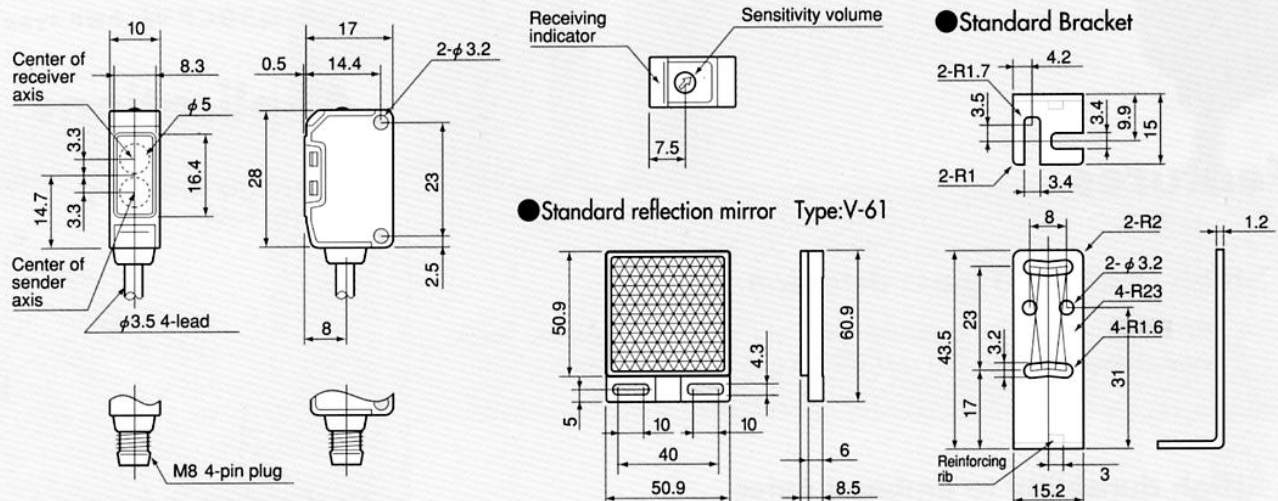
TYPE	CABLE TYPE	CONNECTOR TYPE
NPN output	SR-Q50NW	SR-Q50CNW
PNP output	SR-Q50PW	SR-Q50CPW
Detecting distance	500mm (With V-61)	
Light source	Red LED (660nm)	
Response time	0.5ms	
Sensitivity adjustment	Sensitivity volume (270°)	
Control output	NPN/PNP open collector, max. 100mA/30VDC	
Connection	4-lead cable, 2m	M8 4-pin
Isolated resistance	20MΩ Max. (500VDC)	
Supply voltage	10 to 30VDC including 10% of ripple	
Current consumption	30mA max.	
Noise resistance	JIS Standard	C4525 500V
	IEC Standard	IEC801-2,3,4 Level 3
	Temp/humid	-25 to 55°C/35 to 85%RH
Ambient resistance	Illumination	Sunlight 10,000 lux max. /Incandescent light 3,000 lux max.
	Vibration	10 to 55Hz, Amplitude 1.5mm, X/Y/Z axis 2 hours
	Shock	Approx. 100G (1000m/s ²). X/Y/Z axis 3 times on each
	Protection	IP67
Material	PSF+PBT	
Weight	Approx. 5g (Without cable)	

(Unit: mm)



Dimensions

(Unit: mm)



Optional accessories

Model	Description
V-42	Small reflection mirror (Detecting distance: Up to 300mm)
JCN-S	M8 4-pin connector cable 2m (L-shaped)
JCN-L	M8 4-pin connector cable 2m (Straight)
BEF-W150-B	Fitting metal (Horizontal type)
LS-S01	Protective bracket (Right-angle end: see right)
LS-S02	Protective bracket (Straight end: see right)

Straight connector
JCN-S



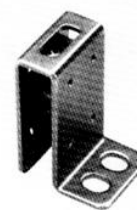
L-shape connector
JCN-L



Protector

LS Series

LS-S01



LS-S02



Optex-FA U.S. sales
Ramco Innovations
(800) 280-6933
www.optex-ramco.com



OPTEX FA CO., LTD.

46-1 Takehanadounomae-cho Yamashina-ku Kyoto 607-8085 Japan
TEL +81-75-594-8123 FAX +81-75-594-8124

74520-02-05960-0308