

TGF series

TEACH-IN type

VGF-T series

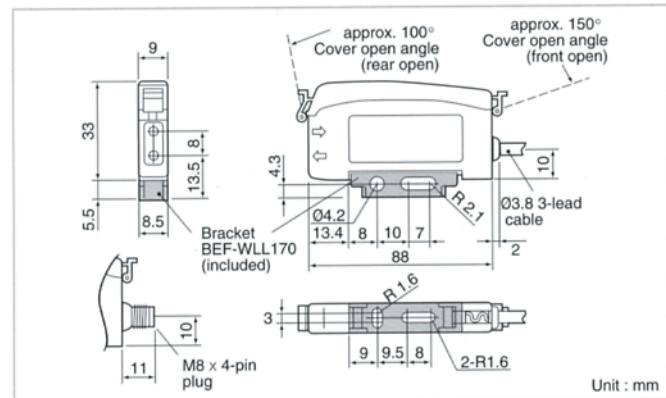
TEACH-IN with precise adjustment trimmer

Easy solution of mark sensing with Green LED.
Sensitivity setting with both TEACH-IN and adjustment trimmer as double security.



■ VGF-T series
■ TGF series

Dimensions



Specifications

Type			TGF Series - Teach-In Type		VGF-T Series - Teach-In with PSV adjustment	
			Standard Frequency Model	Different Frequency Model	Standard Frequency Model	Different Frequency Model
Model Number	Cable Type	NPN	TGF-N	TGF-ZN	VGF-TN	VGF-ZTN
		PNP	TGF-P	TGF-ZNP	VGF-TP	VGF-ZTP
	M8 QD Type	NPN	TGF-CN	TGF-ZNCN	VGF-TCN	VGF-ZTCN
		PNP	TGF-CP	TGF-ZNCP	VGF-TCP	VGF-ZTCP
Response Time			500 μsec.	700 μsec.	500 μsec.	700 μsec.
Applicable Fiber Cables			NF series fiber cables, See catalog for choices			
Supply Voltage			10 ~ 30 VDC incl. 10% ripple			
Current Consumption			50 mA max.			
Control Output			NPN or PNP Open Collector Transistor, 100 mA / 30 VDC Max.			
Operation Mode			Selectable Light-On or Dark-On operation			
Light Source			Green LED			
Sensitivity Adjustment			Teach-In button		Teach-In button with PSV adjust potentiometer	
Indicators			Output (Orange), Stability (Green)			
Timer			Off delay, 40 msec. fixed			
Conformity			JIS, UL, CE, VDE (Class 3)			
Circuit Protection			Reverse Polarity Protection, Overcurrent Protection			
Ambient Temperature			Operation -25° to +55° C			
Ambient Humidity			35 - 85% RH (no freezing)			
Light Immunity			Sunlight: 10,000 lux, Incandescent Lamp: 3,000 lux			
Noise Resistance			EN 50082-2			
Vibration Resistance			50 G, X-Y-Z 2 hours			
Shock Resistance			10 - 55 Hz. amplitude 1.5mm, X-Y-Z for 2 hours			
IP Protection			IEC IP 50			
Material			Case: ABS, Cover: PC			
Accessories			Mounting Bracket			

Note: Cables are not included with the QD sensor, please order separately.