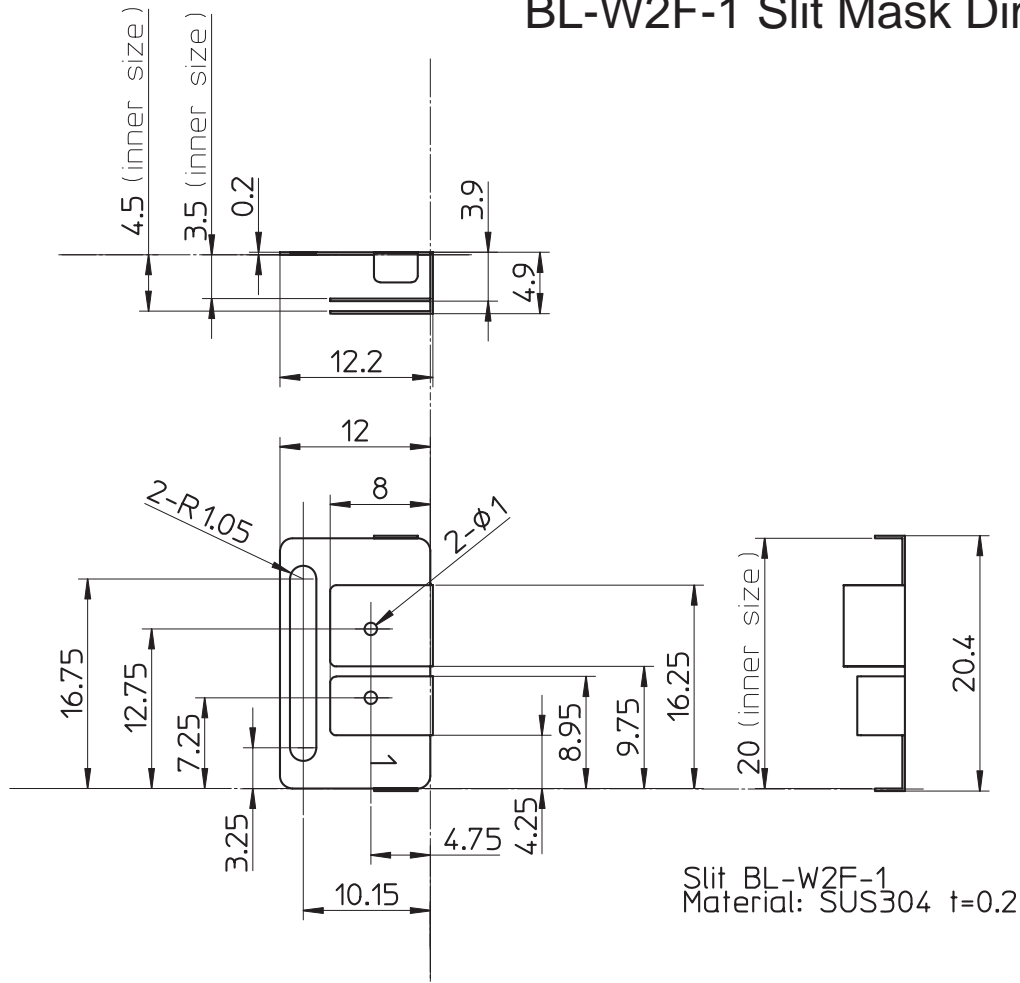
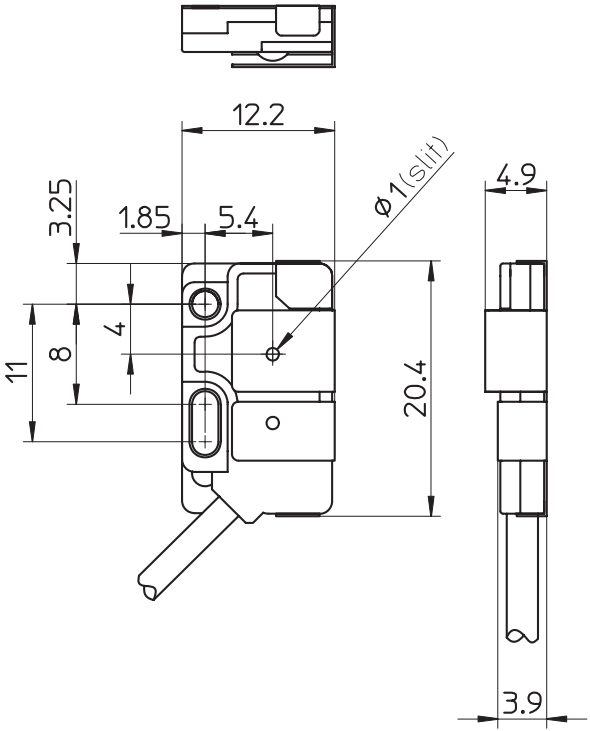


BL-W2F-1 Slit Mask Dimensions

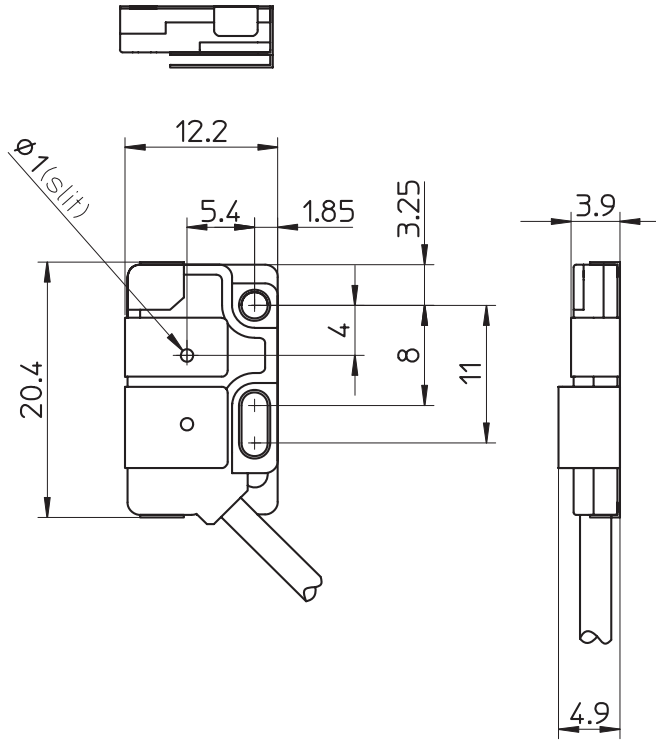


Slit BL-W2F-1
Material: SUS304 t=0.2

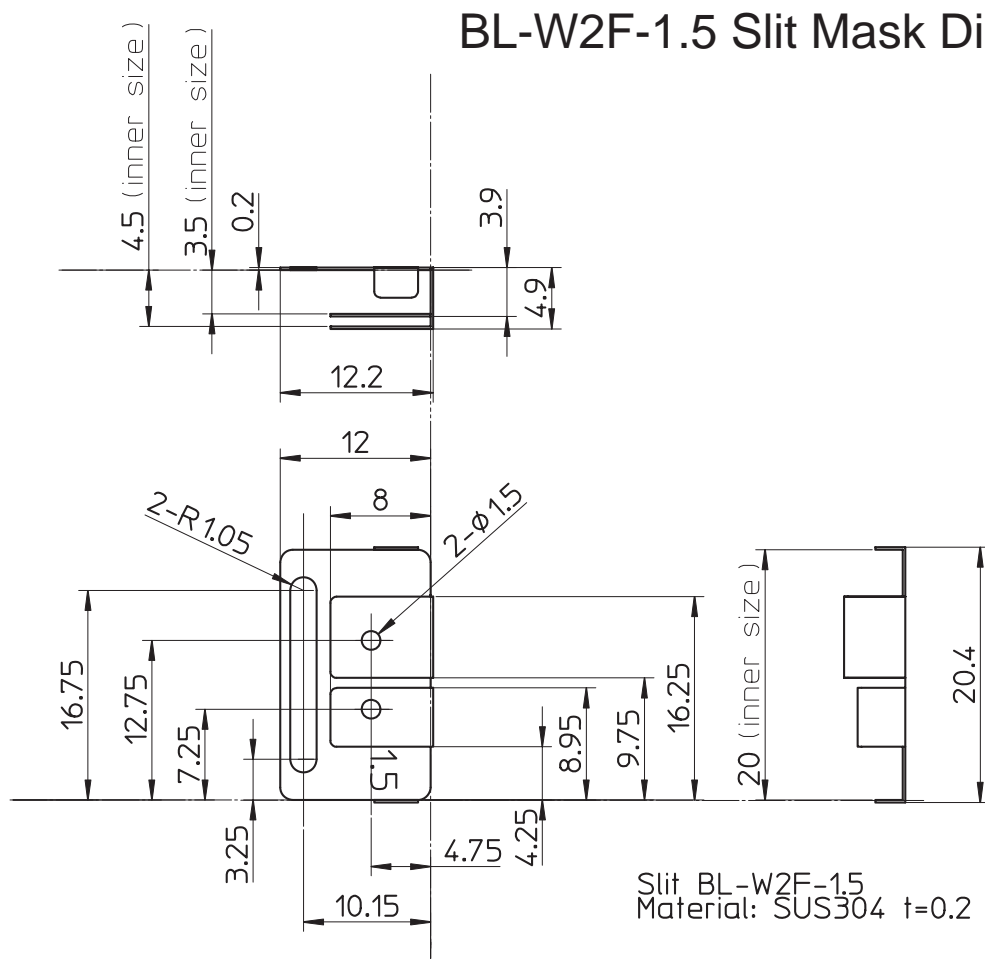
BL-W2F-1
(With ET-500 Emitter)



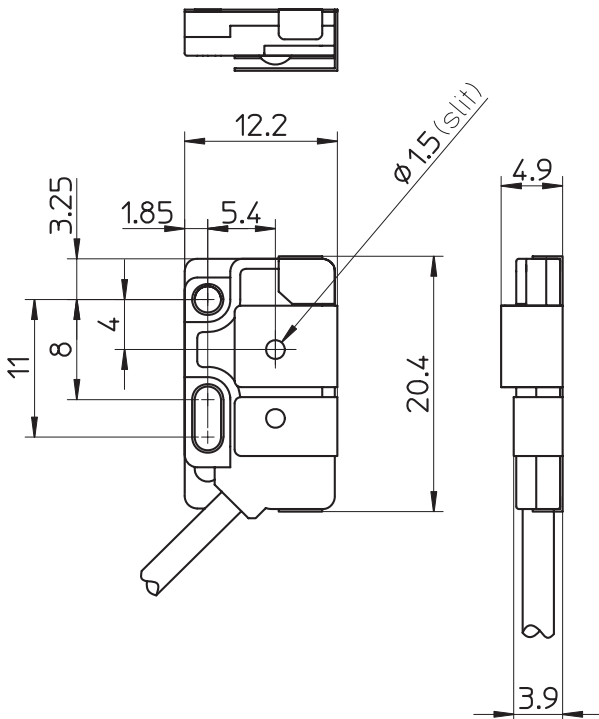
BL-W2F-1
(With ET-500 Receiver)



BL-W2F-1.5 Slit Mask Dimensions



BL-W2F-1.5
(With ET-500 Emitter)



BL-W2F-1.5
(With ET-500 Receiver)

