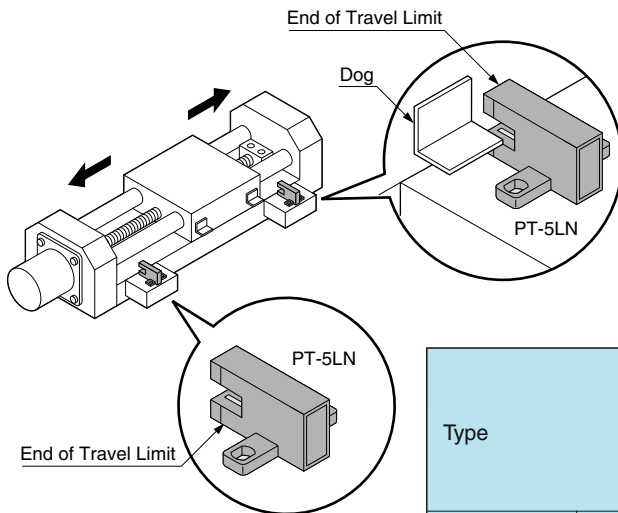


P Series

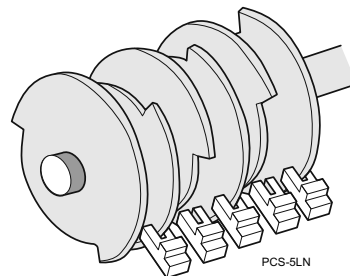
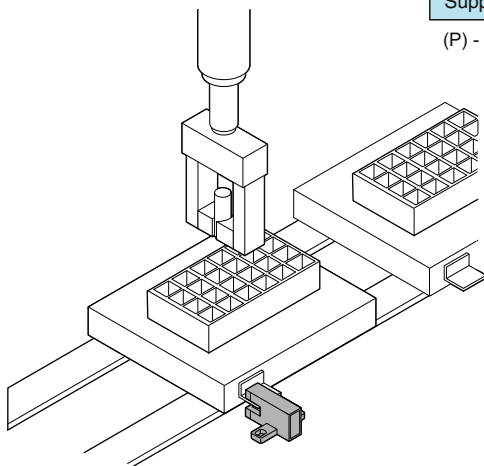
Self-Contained Slot Sensor




- Amplifier built-in, completely self-contained
- Low cost
- LO or DO selectable operation
- NPN and PNP outputs available
- Bright LED indicator
- 0.025 mm Hysteresis
- 1 kHz Response



Type		U Shaped Slot Sensors				
		Standard	L Shaped	T Shaped	Close Mounting Standard	Close Mounting L Shaped
Output Indicator is On when the beam is	Clear	PS-5LN(P)	PL-5LN(P)	PT-5LN(P)	PCS-5LN(P)	PCL-5LN(P)
	Blocked	PS-5DN(P)	PL-5DN(P)	PT-5DN(P)	PCS-5DN(P)	PCL-5DN(P)
Sensing Range		5 mm fixed slot width				
Supply Voltage		5 ~ 24 VDC incl. 10% ripple				

(P) - PNP output model



Connector	Connector with cord	Connector with cord (robotic type)
		
PCN-T	PCN-C	PCN-R