

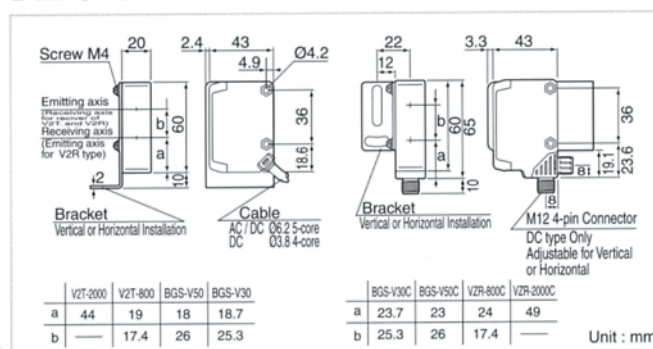
AC / DC Universal Voltage, Tolerant To Dusty Conditions

V2 series & BGS-V series

Large lens size assures stable detection even in a dusty or dirty environment. BGS function is available in both AC and DC models.



Dimensions



Specifications

Type			V & BGS-V Series									
			Universal Voltage Models					DC Voltage Models				
			Thru-beam	Retro-reflective	BGS Type			Thru-beam	Retro-reflective	BGS Type		
Model Number	Relay	V2T-2000	V2R-800	BGS-V80	BGS-V50	BGS-V30	-----	-----	-----	-----	-----	
		NPN	-----	-----	-----	-----	-----	V2T-2000DN	V2R-800DN	BGS-V80N	BGS-V50N	BGS-V30N
	M12 QD Type	PNP	-----	-----	-----	-----	-----	V2T-2000DP	V2R-800DP	BGS-V80P	BGS-V50P	BGS-V30P
		NPN	-----	-----	-----	-----	-----	V2T-2000DCN	V2R-800DCN	BGS-V80CN	BGS-V50CN	BGS-V30CN
	PNP	-----	-----	-----	-----	-----	V2T-2000DCP	V2R-800DCP	BGS-V80CP	BGS-V50CP	BGS-V30CP	
Sensing Range			20 meter	8 meter	250~800 mm	150~500 mm	100~300 mm	20 meter	8 meter	250~800 mm	150~500 mm	100~300 mm
Hysteresis			-----		20 % max.	5 % max.	-----		15 % max.	5 % max.		
Supply Voltage			24 ~ 240 VAC, 12 ~ 240 VDC +/- 10%					10 ~ 30 VDC +/- 10%				
Current Consumption			3 VA max					35 mA max.		25 mA max.		
Response Time			15 msec.					1 msec.	0.7 msec.	2 msec.		
Control Output			One Form C Relay contact - 250 VAC 0.3A / 30 VDC 2A (resistive)					NPN or PNP Open Collector Transistor, 100 mA / 30 VDC Max.				
Operation Mode			Light-On					Selectable Light-On or Dark-On operation				
Light Source			Red LED									
Sensitivity Adjustment			Two turn potentiometer					-----	Two turn potentiometer			
Indicators			Output (Red)									
Ambient Temperature			Operation: -25° to +55°C									
Ambient Humidity			35 - 85% RH									
Light Immunity			Sunlight:10,000 lux, Halogen Lamp: 3,000 lux									
Vibration Resistance			10 - 55 Hz., amplitude 1.5mm, X-Y-Z each 2 hours									
Shock Resistance			50 G, X-Y-Z each 2 hours									
IP Protection			IP67									
Material			Case: Glass fiber reinforced ABS, Lens: PC (PMMA for retro-reflective)									
Accessories			Mounting Bracket	Mounting Bracket Reflector #V-61	Mounting Bracket			Mounting Bracket Reflector #V-61	Mounting Bracket			

Note: Cables are not included with the QD sensor, please order separately.