

PS-18V-U

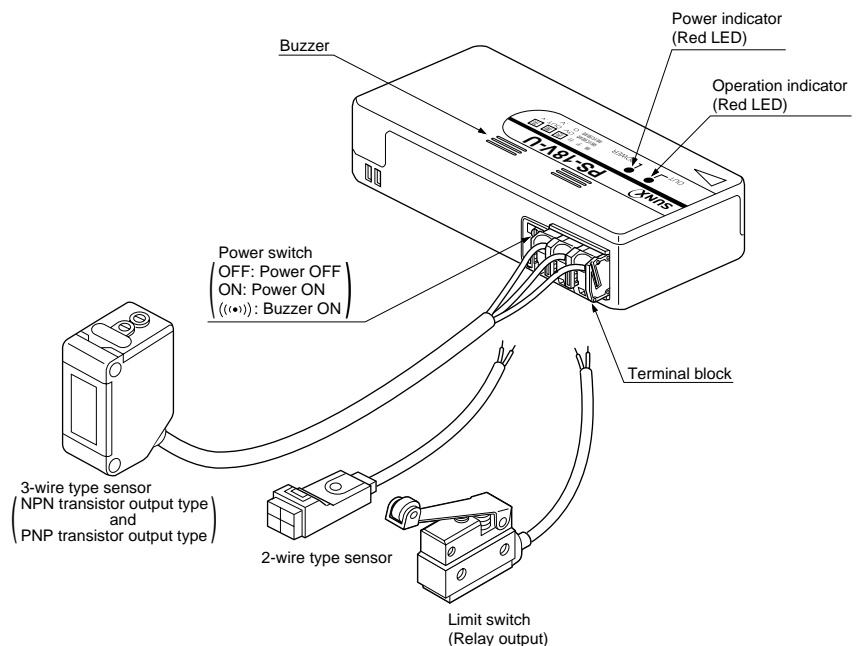
Power Supply Unit




Portable power supply unit ... usable anywhere, anytime

Convenient for checking sensor operation

Since this power supply unit uses dry cells, it is convenient for an operation check, or sensor adjustment during assembly line setup, at places without a sensor power supply. Further, the output operation of the connected sensor can be checked by the operation indicator (red LED) and the buzzer.



ORDER GUIDE

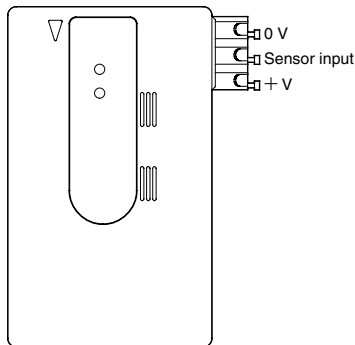
Appearance	Model No.	Supply voltage	Connectable sensors
	PS-18V-U	18 V (2 pcs. 006P dry cells, replaceable)	Photoelectric sensor, inductive proximity sensor, etc. with NPN transistor output, PNP transistor output, DC 2-wire type output or relay output

SPECIFICATIONS

Item	Model No.	PS-18V-U
Supply voltage		18 V (2 pcs. 006P dry cells, replaceable)
Connectable sensors		Photoelectric sensor, inductive proximity sensor, switch, etc., with NPN transistor output and PNP transistor output, DC 2-wire type output or relay output
Power indicator		Red LED (lights up when the power is ON)
Operation indicator		Red LED (lights up when the sensor input is ON)
Operation buzzer		Incorporated, switchable either effective or ineffective
Ambient temperature		0 to +40 °C +32 to +104 °F, Storage: 0 to +40 °C +32 to +104 °F
Ambient humidity		35 to 85 % RH, Storage: 35 to 85 % RH
Connecting method		Terminal block
Material		ABS
Weight		140 g approx.
Accessory		006P dry cell: 2 pcs.

ON / OFF Input NPS
 Analog Input CA
 CA2
 Power Supply PS-18V-U

TERMINAL ARRANGEMENT



PS-18V-U

PRECAUTIONS FOR PROPER USE



This product is not a safety controller. It does not possess control functions needed for accident prevention or safety maintenance.

Wiring

- Make sure that the power supply is off while wiring.
- Avoid dust, dirt, and steam.
- Take care that the product does not come in direct contact with water, oil, grease, or organic solvents, such as, thinner, etc.

DIMENSIONS (Unit: mm in)

