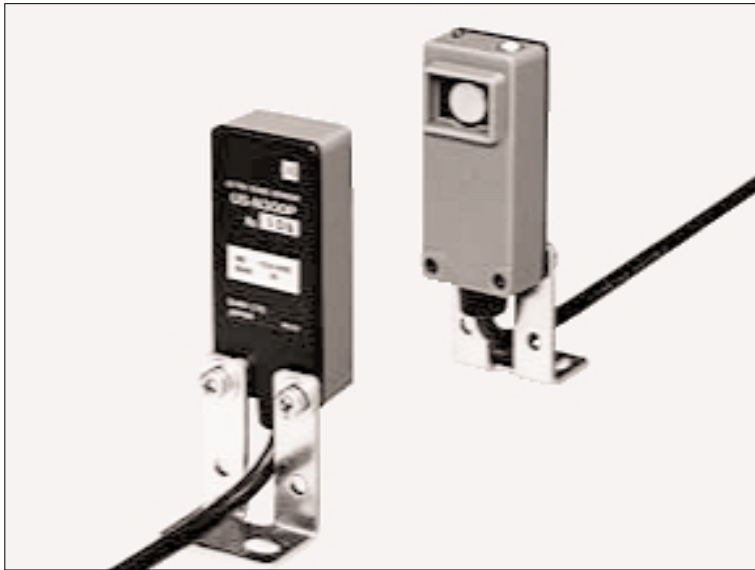


US-N300

Thru-beam Type Ultrasonic Sensor



Suitable for detecting transparent films or transparent bottles

Reliable detection of transparent objects

The sensor reliably detects transparent films or transparent objects.



Only 16 mm 0.630 in thick

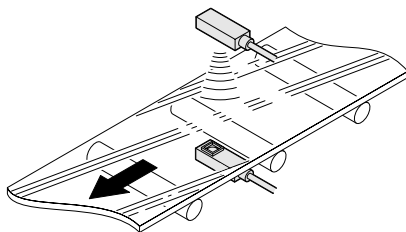
Its 16 mm 0.630 in thick compact body allows mounting in a narrow space.

Simple operation mode selection

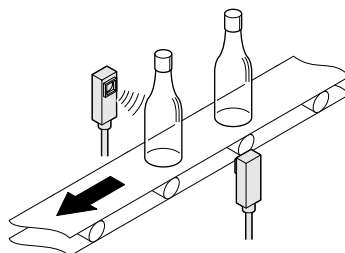
The operation mode can be selected either sound-received-ON or sound-blocked-ON simply by changing the connection of the control input wire.

APPLICATIONS

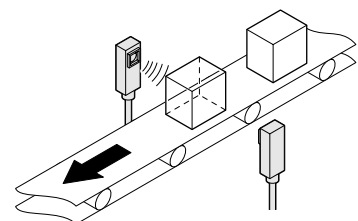
Detecting transparent film or transparent glass



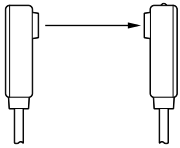

Detecting transparent bottles



Detecting transparent and opaque objects

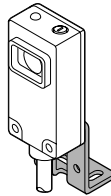


ORDER GUIDE

Type	Appearance	Sensing range	Model No.	Output
Thru-beam 2 m (6.562 ft) cable length 5 m (16.404 ft) cable length		 300 mm 11.811 in	US-N300	NPN transistor universal
			US-N300-C5	

Accessory

- **MS-N30** (Sensor mounting bracket)



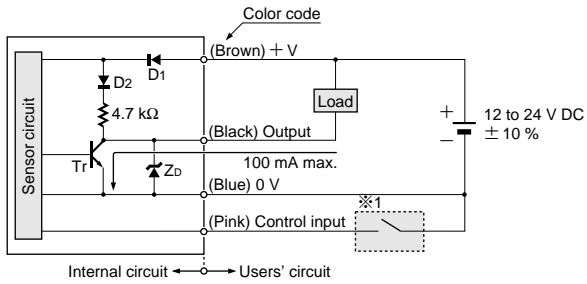
SPECIFICATIONS

Item	Type	Thru-beam
	Model No.	US-N300
Sensing range		300 mm 11.811 in
Sensing object		Transparent, translucent or opaque object: 20 × 20 mm 0.787 × 0.787 in or more, Hole: 10 × 10 mm 0.394 × 0.394 in or more
Supply voltage		12 to 24 V DC ± 10 % Ripple P-P 10 % or less
Current consumption		Transmitter: 35 mA or less, Receiver: 35 mA or less
Output		NPN transistor universal • Maximum sink current: 100 mA • Residual voltage: 1 V or less (at 100 mA sink current)
	Output operation	Selectable either sound-received-ON or sound-blocked-ON by the control input
	Short-circuit protection	Incorporated
Response time		5 ms or less
Operation indicator		Red LED (lights up when the output is ON)
Sensitivity adjuster		Continuously variable adjuster
Transmission frequency		220 kHz approx.
Environmental resistance	Protection	IP62 (IEC)
	Ambient temperature	0 to + 50 °C + 32 to + 122 °F (No dew condensation), Storage: - 25 to + 70 °C - 13 to + 158 °F
	Ambient humidity	35 to 85 % RH, Storage: 35 to 85 % RH
	Noise immunity	Power line: 1,000 Vp, and 1 μs pulse width; Radiation: 2,000 Vp, and 1 μs pulse width (with noise simulator)
	Voltage withstandability	1,500 V AC for one min. between all supply terminals connected together and enclosure
	Insulation resistance	20 MΩ, or more, with 500 V DC megger between all supply terminals connected together and enclosure
	Vibration resistance	10 to 55 Hz frequency, 1.5 mm 0.059 in amplitude in X, Y and Z directions for two hours each
Shock resistance	100 m/s ² acceleration (10 G approx.) in X, Y and Z directions for three times each	
Material		Enclosure: Polycarbonate
Cable		0.2 mm ² 4-core (transmitter: 2-core) cabtyre cable, 2 m 6.562 ft long
Cable extension		Extension up to total 100 m 328.084 ft is possible, for both transmitter and receiver, with 0.2 mm ² , or more, cable.
Weight		Transmitter: 80 g approx., Receiver: 85 g approx.
Accessories		MS-N30 (Sensor mounting bracket): 1 set for transmitter and receiver, Adjusting screwdriver: 1 pc.

US-N300

I/O CIRCUIT AND WIRING DIAGRAMS

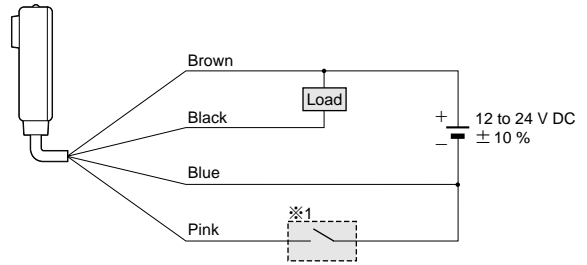
I/O circuit diagram



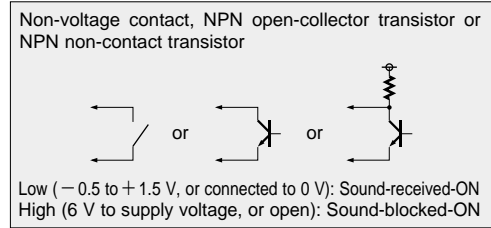
Note: The transmitter has only two power supply wires (+ V and 0 V).

Symbols ... D1: Reverse supply polarity protection diode
 D2: Reverse current protection diode
 ZD: Surge absorption zener diode
 Tr: NPN output transistor

Wiring diagram

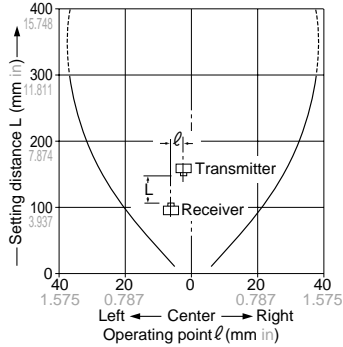


*1

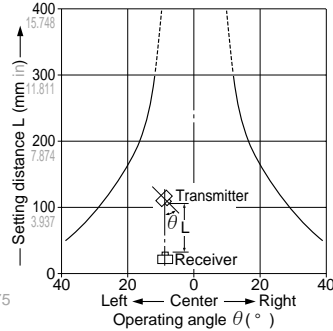


SENSING CHARACTERISTICS (TYPICAL)

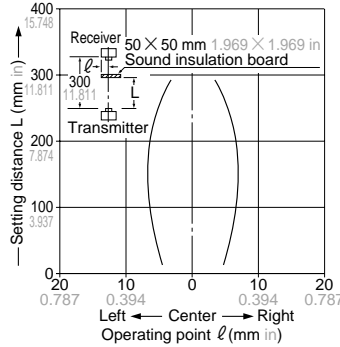
Parallel deviation




Angular deviation



Sensing field

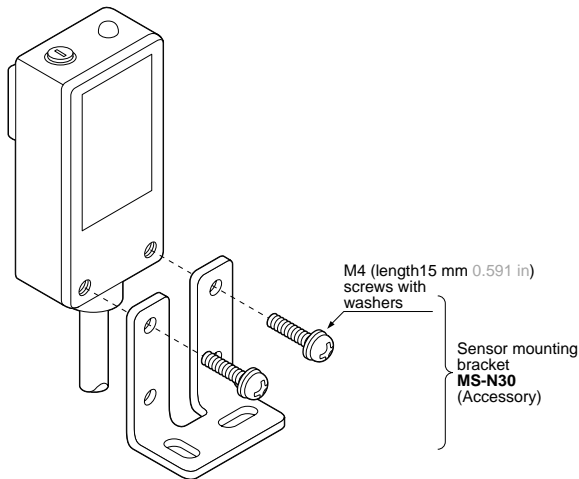


PRECAUTIONS FOR PROPER USE

 This product is not a safety sensor. Its use is not intended or designed to protect life and prevent body injury or property damage from dangerous parts of machinery. It is a normal object detection sensor.

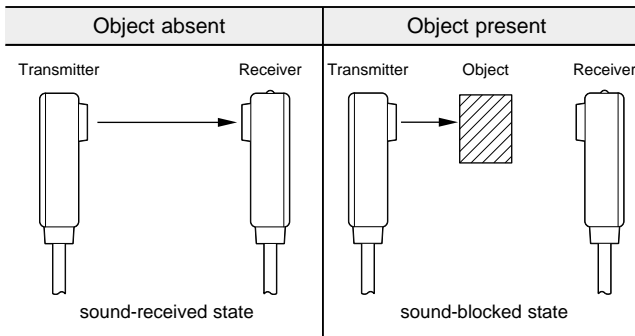
Mounting

- The tightening torque should be 0.49 N·m or less.

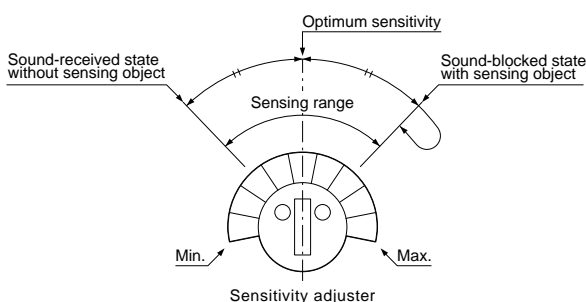


Sensitivity adjustment

- Normally, use the sensor at the maximum sensitivity. However, if the sensing is not proper due to surrounding objects (reflection from surrounding objects, etc.), adjust the sensitivity as follows.



- Set the adjuster to Min. Then, without any sensing object, turn the adjuster gradually clockwise, while seeing the operation indicator, to determine the point where the sensor enters the 'sound-received state'.
- With a sensing object between the sensor heads, turn the adjuster further clockwise until the sensor enters the 'sound-received state' again. Then, turn the adjuster back a little to determine the point where the sensor just enters the 'sound-blocked state'.
- Set the adjuster at the center of the two points described in ① and ②, which is the optimum sensitivity position.

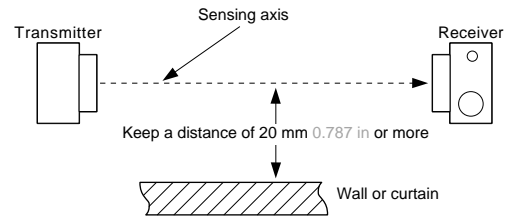


Influence of surrounding objects

Influence of an object parallel to the sensing axis

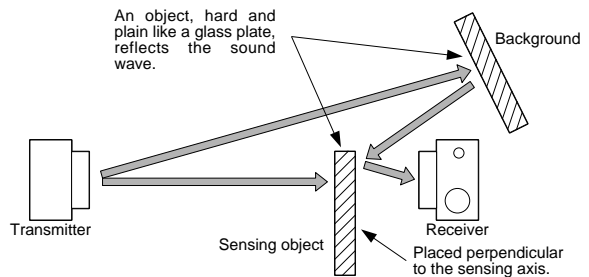
- If there is a wall or a curtain near the sensing axis, the sound reflection may cause the operation to be unstable.

<Countermeasure>



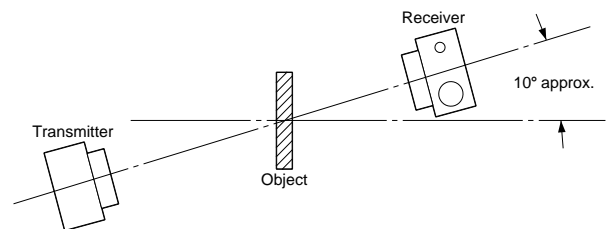
Influence of background objects

- If sensor heads are installed as shown in the figure below, the operation may become unstable by the reflected sound wave.



<Countermeasure>

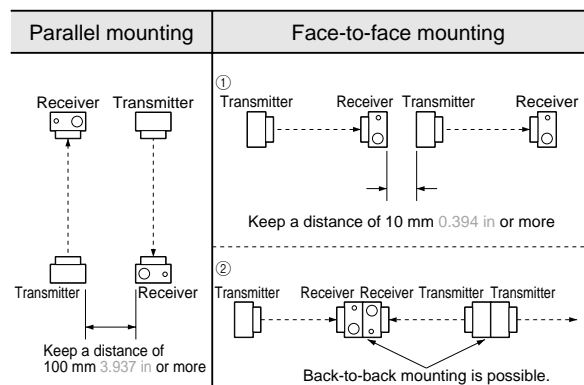
- The receiver should be placed away from the object and at an angle to it as shown below.



Mutual interference

- When two or more sensors are mounted close together, the sensors may not enter the 'sound-blocked state' due to mutual interference.

<Countermeasure>



US-N300

PRECAUTIONS FOR PROPER USE

Traveling speed and minimum sensing object width

- Minimum sensing object width is 20 × 20 mm 0.787 × 0.787 in in the stationary condition.

The minimum sensing width of a traveling object is related to the traveling speed and the sensor response time by the following formula.

$$W = VT + A$$

W: Minimum sensing object width (m)
 V: Traveling speed of the object (m/sec.)
 T: Sensor response time = 0.005 (sec.)
 A: Minimum sensing object width in the stationary condition = 0.02 0.066 (m ft)

Example: If V = 10 m 32.808 ft /sec.
 $W = 10 \times 0.005 + 0.02 = 0.07 \text{ m } 0.230 \text{ ft}$
 $W = 70 \text{ mm } 2.756 \text{ in}$

Wiring

- Make sure that the power supply is off while wiring.
- Verify that the supply voltage variation is within the rating.
- If power is supplied from a commercial switching regulator, ensure that the frame ground (F.G.) terminal of the power supply is connected to an actual ground.

- In case noise generating equipment (switching regulator, inverter motor, etc.) is used in the vicinity of this product, connect the frame ground (F.G.) terminal of the equipment to an actual ground.

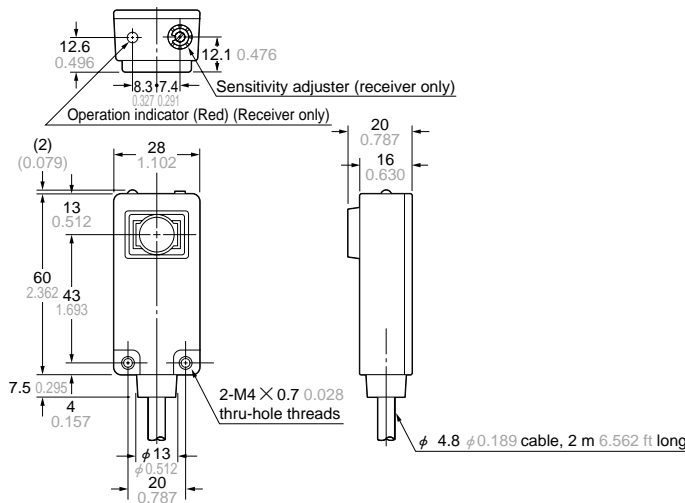
- Do not run the wires together with high-voltage lines or power lines or put them in the same raceway. This can cause malfunction due to induction.

Others

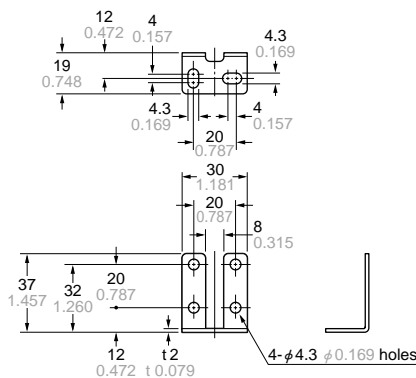
- Do not use during the initial transient time (50 ms) after the power supply is switched on.
- The ultrasonic sound propagates through the air. If the sensor is used at a place where air blows or the temperature suddenly changes (near a door, an air conditioner, etc.) the operation may become unstable. Avoid using **US-N300** at such places.
- Take care that the sensor may malfunction due to an intense extraneous sound, such as, metal impact sound.
- Do not expose the transmitting element or the receiving element to moisture or dust. It may affect the sensing operation.

DIMENSIONS (Unit: mm in)

US-N300 Sensor



MS-N30 Sensor mounting bracket (Accessory)



Material: Cold rolled carbon steel (SPCC)
 Two M4 (length 15 mm 0.591 in) screws with washers are attached.

Assembly dimensions

Mounting drawing with the receiver

